



Data Sheet

PACKAGING DIAGRAMS

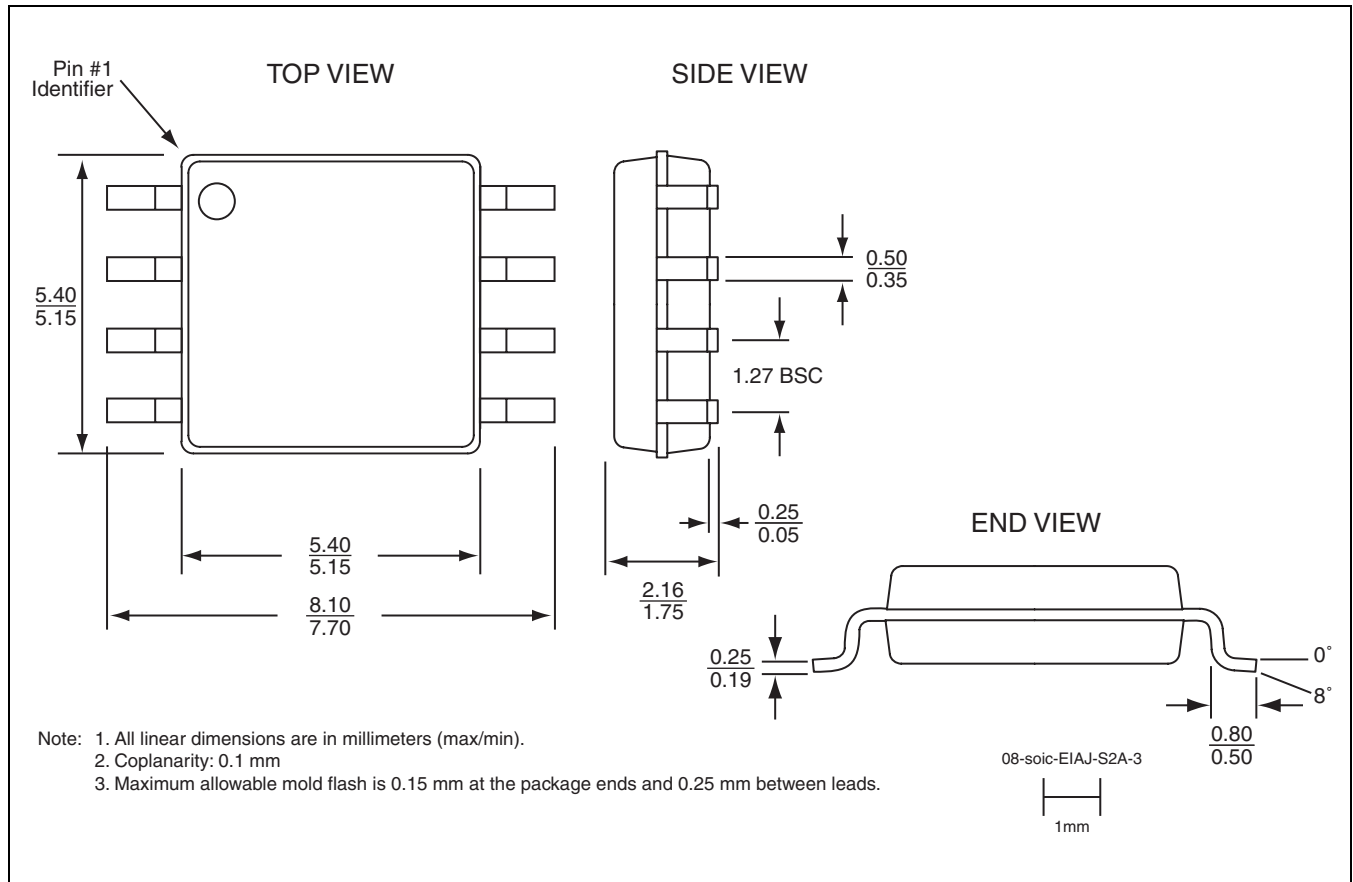
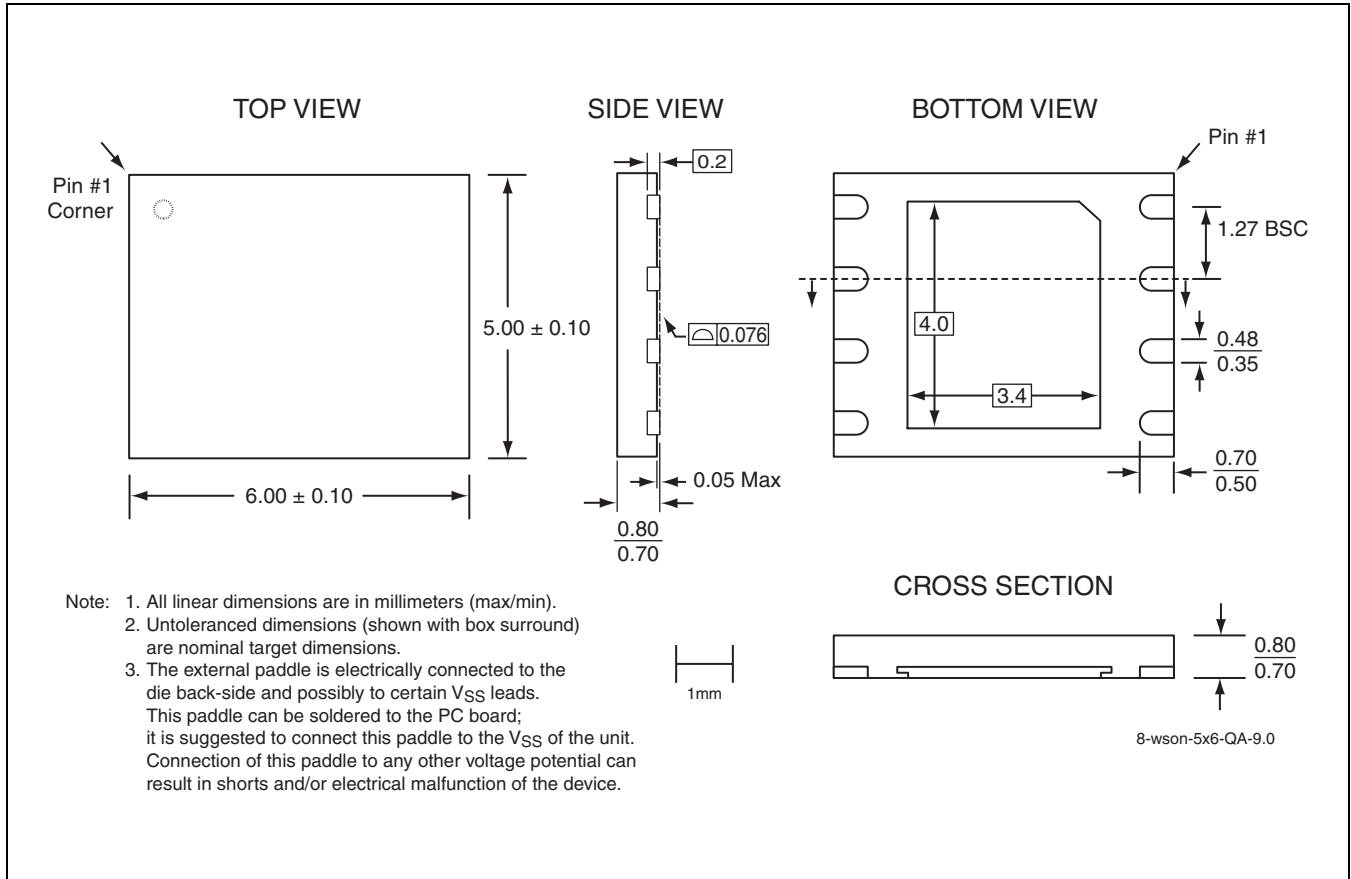


FIGURE 27: 8-lead Small-outline Integrated Circuit (SOIC) 200 mil body width (5.2mm x 8mm)
SST Package Code: S2A



**FIGURE 28: 8-Contact Very-very-thin, Small-outline, No-lead (WSON)
SST Package Code: QA**



Data Sheet

TABLE 13: Revision History

Number	Description	Date
00	<ul style="list-style-type: none">Initial release of data sheet	Oct 2006
01	<ul style="list-style-type: none">Changed clock frequency from 50 MHz to 66 MHz globallyRevised Table 12 AC Operating CharacteristicsRevised Product Ordering Information and Valid Combinations on page 25Revised Figure 10 and Figure 11Changed IDDR2 from Max 15 mA to Max 20 mA in Table 8Changed TDH from Min 5 ns to Min 4 ns (66MHz) in Table 12	Mar 2008
02	<ul style="list-style-type: none">Removed SC packageRemoved Commercial Temperature.	Jul 2008
03	<ul style="list-style-type: none">Added new valid combination with 80 MHz Clock FrequencyAdded QA packageEdited Features, page 1Edited Product Description, page 1Edited Table 5 on page 8Edited Figure 6 on page 9Edited Table 8 on page 20Edited Table 12 on page 21	May 2009